

Microwave Plasma Simulation Applied to a Double ICP Jet Reactor

COMSOL Conference Stuttgart 2011

Horia-Eugen Porteanu and Roland Gesche
Ferdinand-Braun-Institut, Leibniz-Institut für Höchstfrequenztechnik, Berlin, Germany

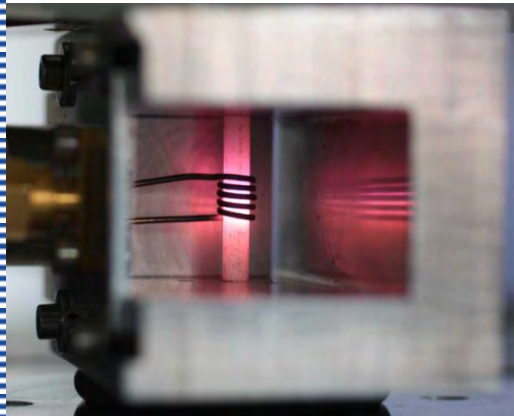
Outline

1. ICP sources, development, structure
2. RF Simulation: Q-factor, matching impedance
3. Plasma simulation for $p=10$ mbar realistic results
4. Plasma simulation for $p=0.1$ mbar, not realistic results
5. Conclusions

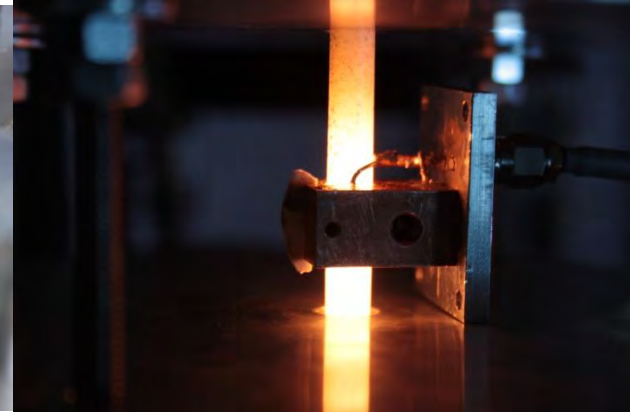
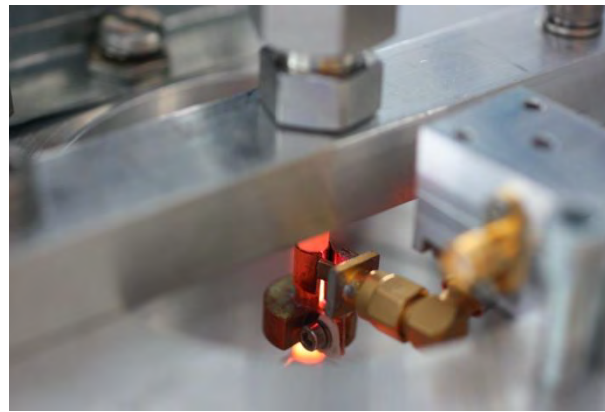
Microwave Sources for Inductively Coupled Plasma (I)

Single ICP

3 mm tube

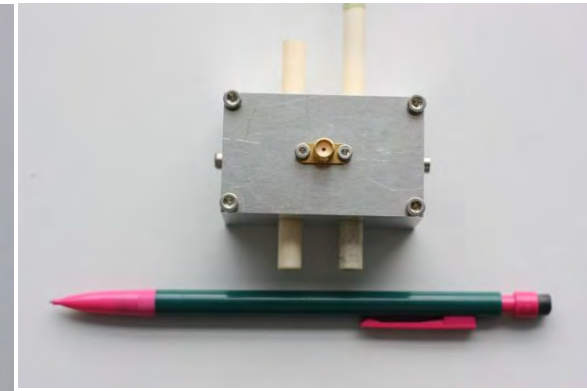
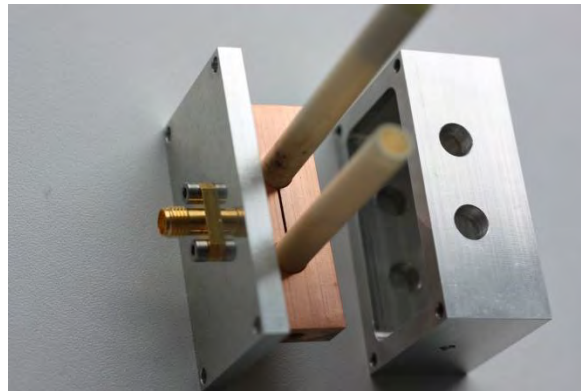
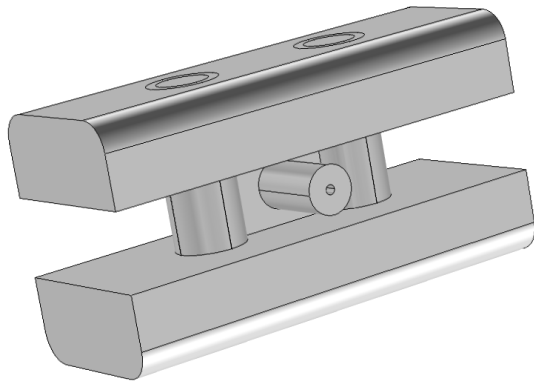


7 mm tube

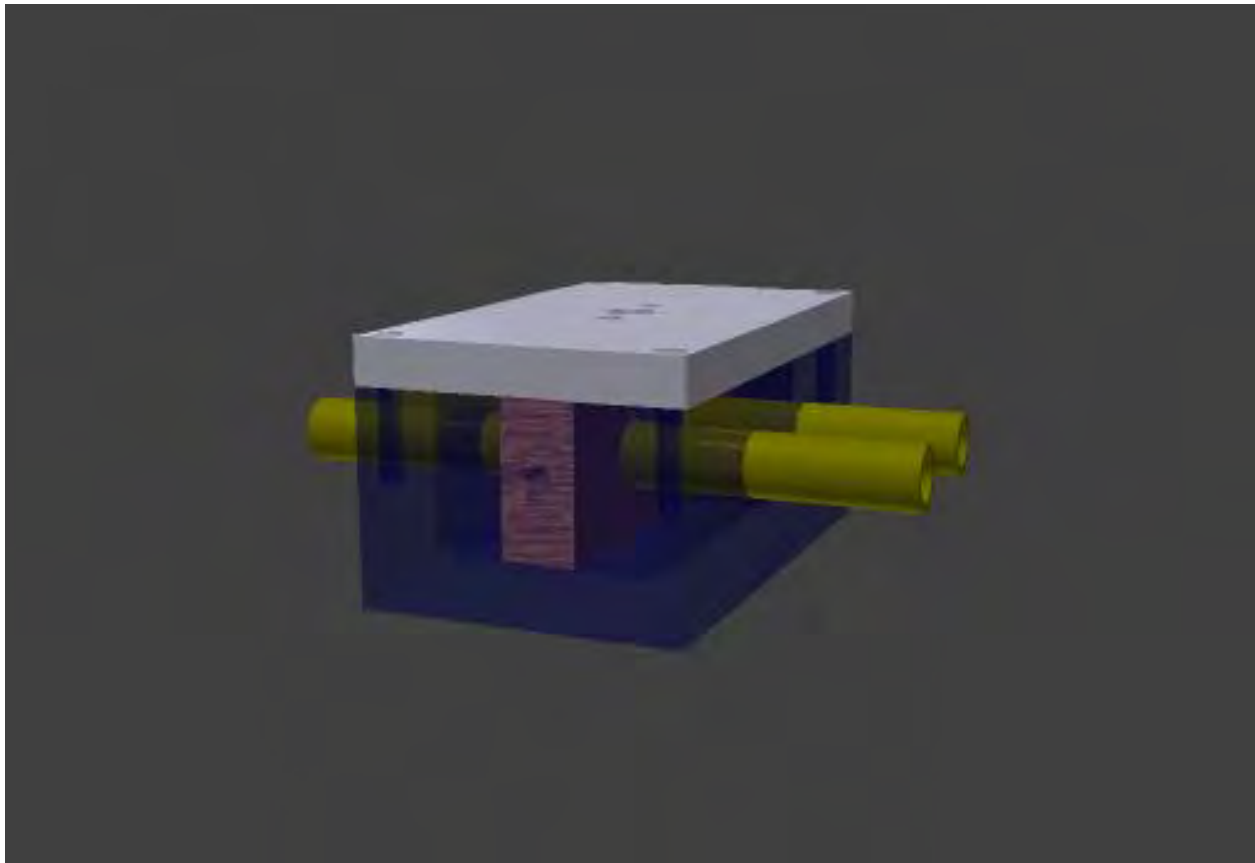


Microwave Sources for Inductively Coupled Plasma (II)

Double ICP

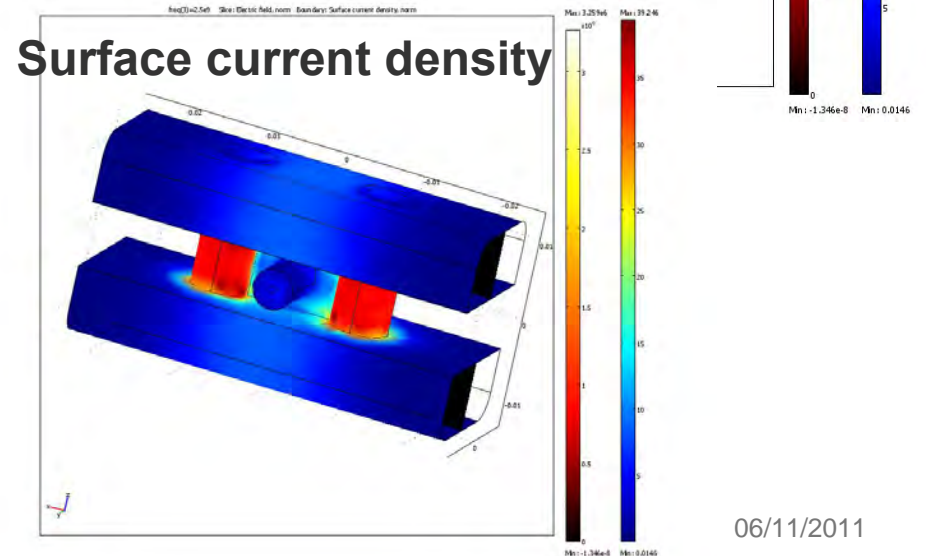
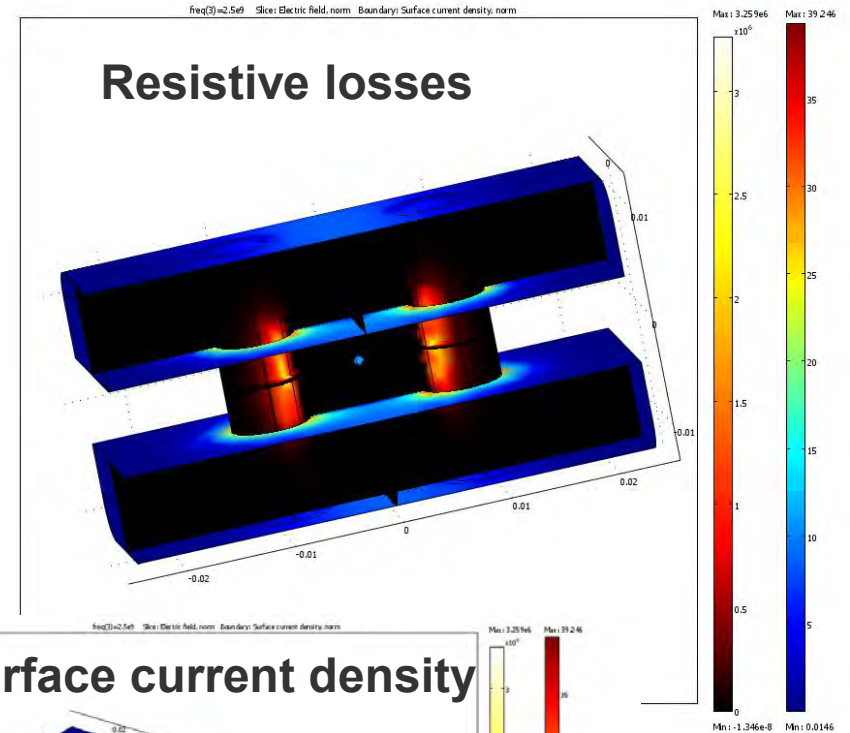
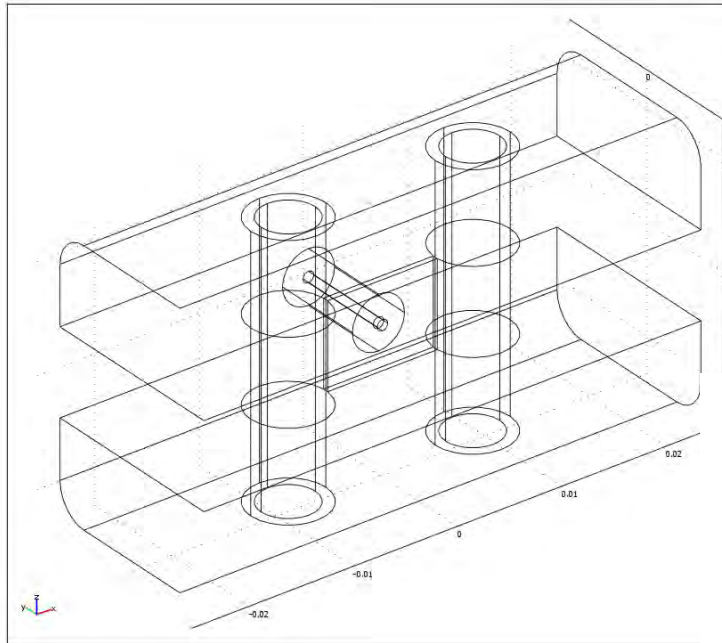


Microwave Sources for Inductively Coupled Plasma (II)



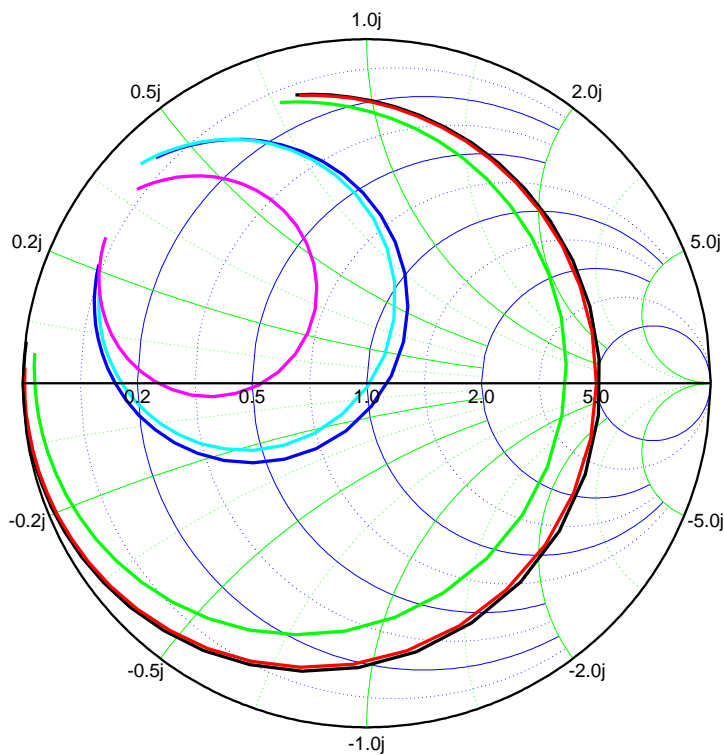
RF Simulation (I)

RF coupling



RF Simulation (II)

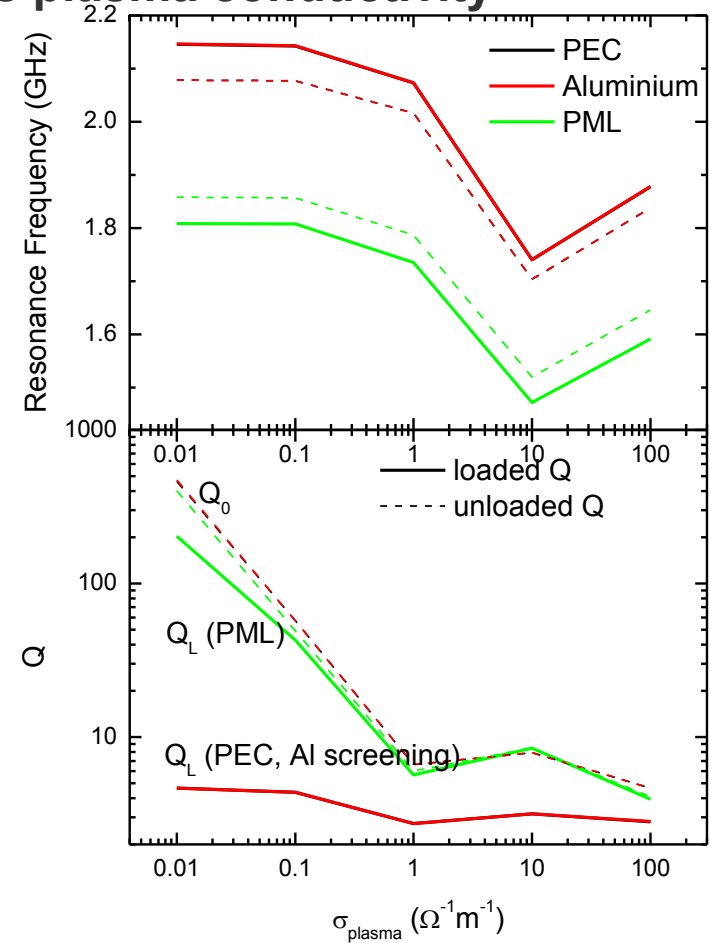
Behavior of the resonator for homogeneous plasma conductivity



7 mm

$\alpha = 0.6 \pi$

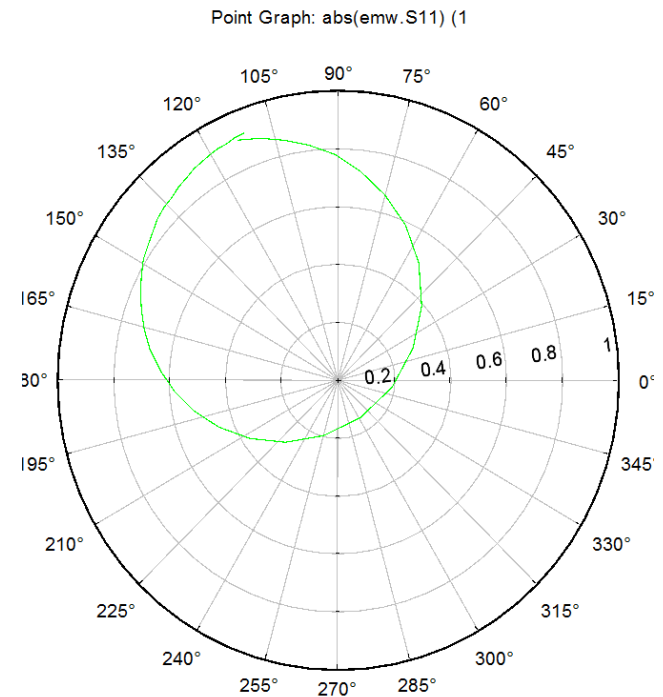
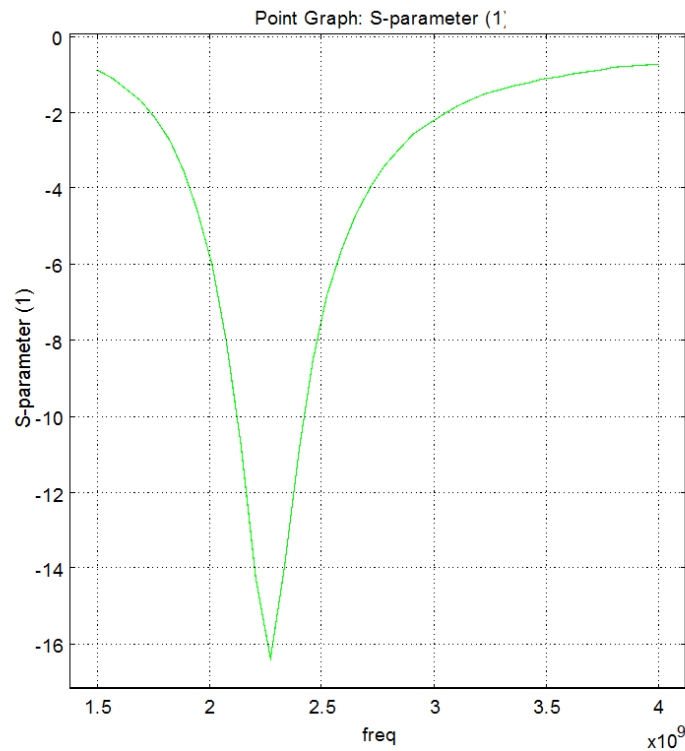
- $\sigma_p = 0.00 (\Omega m)^{-1}$
- $\sigma_p = 0.01 (\Omega m)^{-1}$
- $\sigma_p = 0.10 (\Omega m)^{-1}$
- $\sigma_p = 1.00 (\Omega m)^{-1}$
- $\sigma_p = 10.00 (\Omega m)^{-1}$
- $\sigma_p = 100.00 (\Omega m)^{-1}$



$Q_0 \sim 2000$ (without plasma and influence of the VNA)

RF Simulation (III)

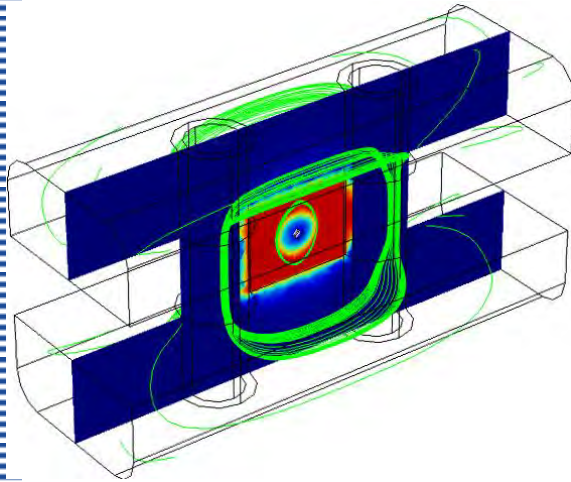
Ideal matching for $\sigma_{\text{plasma}}=1 \text{ } (\Omega\text{m})^{-1}$



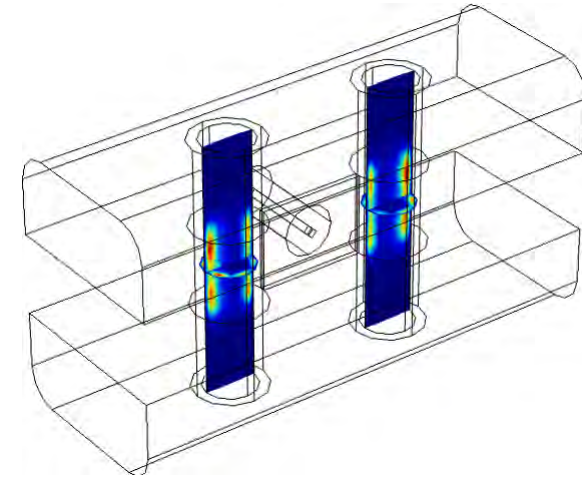
$$\sigma_{\text{plasma}}=1 \text{ } (\Omega\text{m})^{-1}$$

Plasma Simulation (I): Plasma Parameters

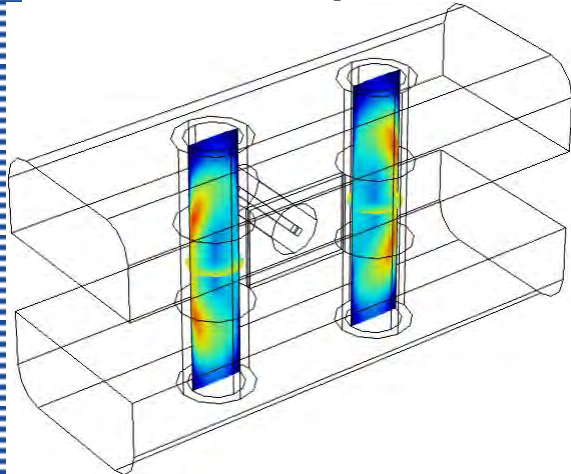
E and H Fields



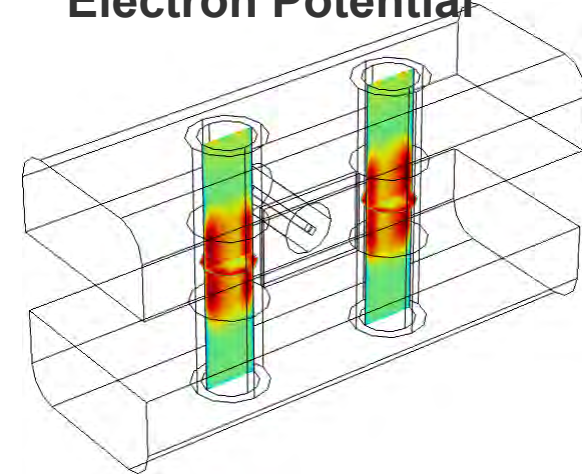
Electron Density



Electron Temperature



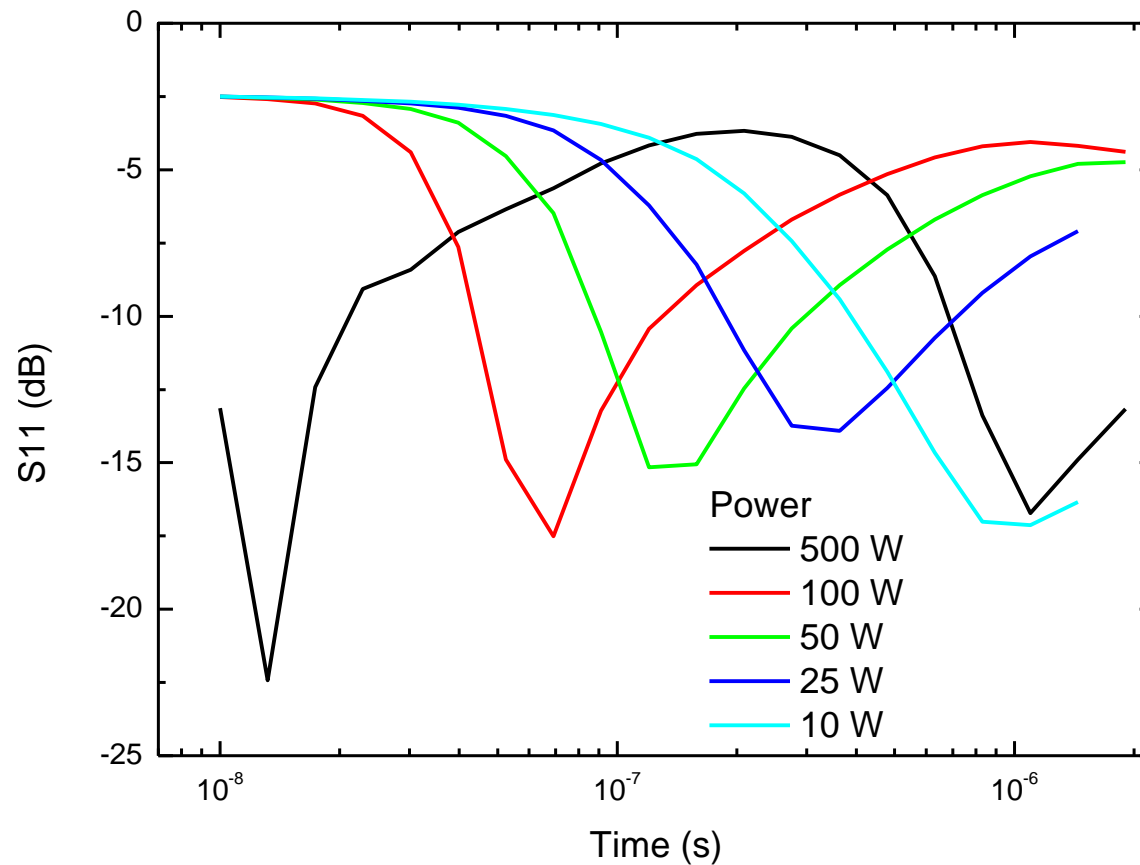
Electron Potential



Plasma Simulation (II)

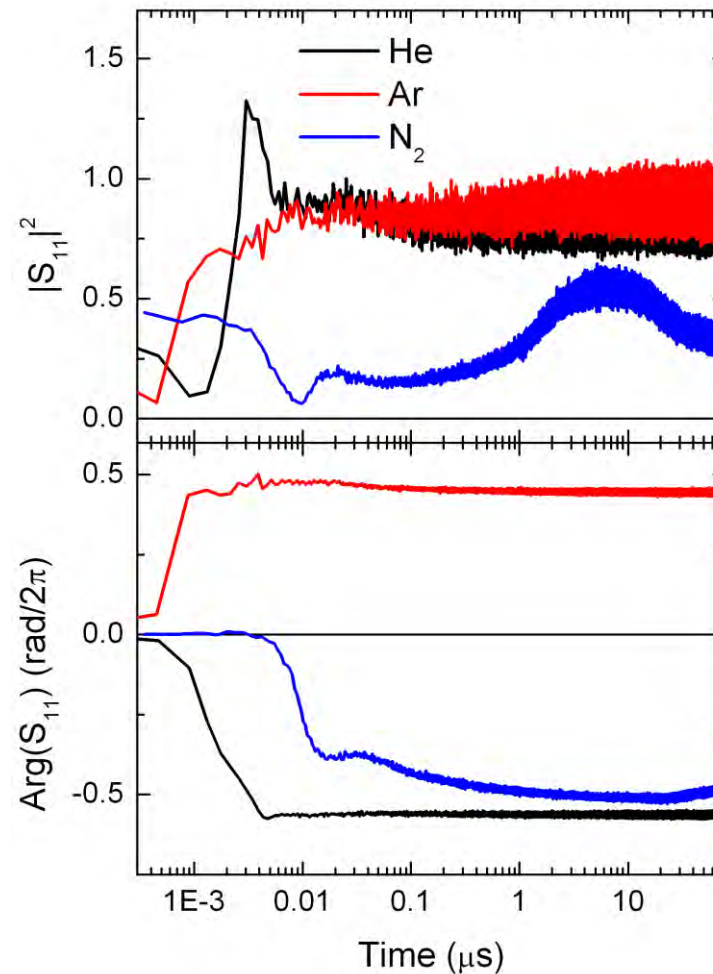
Power Dependence of the plasma ignition

$p=10$ mbar, $n_{e\text{ ini}}=10^{14} - 10^{15} \text{ m}^{-3}$, gas flow= $10^{-2} \text{ m}^3/\text{s}$



Plasma Simulation (II)

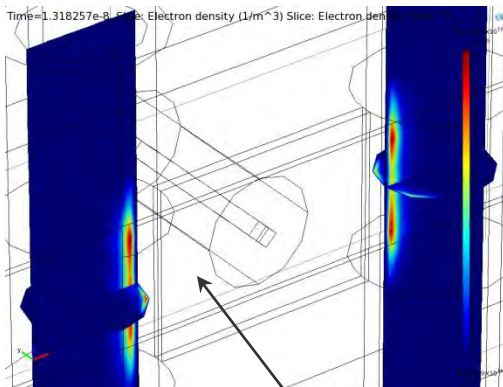
Experimental results on transients



Plasma Simulation (III)

Time dependence of the plasma ignition,
 $P=500\text{ W}$, $p=10\text{ mbar}$, $n_{e\text{ ini}}=10^{14} - 10^{15}\text{ m}^{-3}$, $\text{gas flow}=10^{-2}\text{ m}^3/\text{s}$

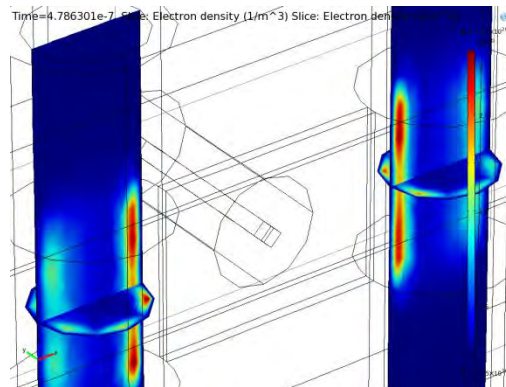
$t=10^{-8}\text{ s}$, $n_e=4 \cdot 10^{19}\text{ m}^{-3}$



CCP

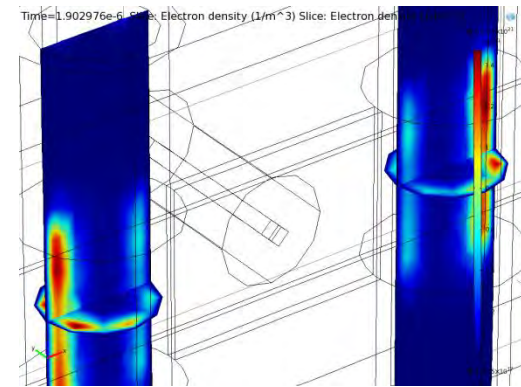
Capacitor

$t=5 \cdot 10^{-7}\text{ s}$, $n_e=3 \cdot 10^{20}\text{ m}^{-3}$



CCP – ICP

$t=2 \cdot 10^{-6}\text{ s}$, $n_e=1.5 \cdot 10^{21}\text{ m}^{-3}$



ICP

Time



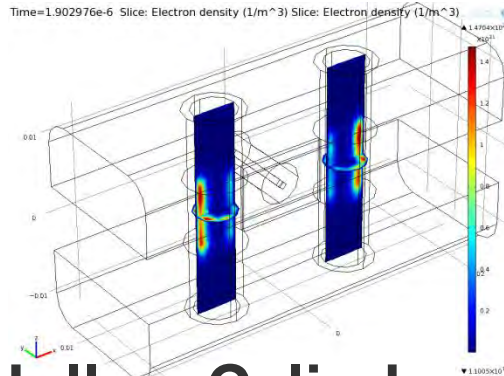
Plasma Simulation (IV)

Gas flow dependence,

$P=500\text{ W}$, $p=10\text{ mbar}$, $n_{e\text{ ini}}=10^{14}\text{ m}^{-3}$, Gas Flow= $10^{-4} - 10^{-2}\text{ m}^3/\text{s}$

$t=2 \cdot 10^{-6}\text{ s}$, $n_e=1.5 \cdot 10^{21}\text{ m}^{-3}$

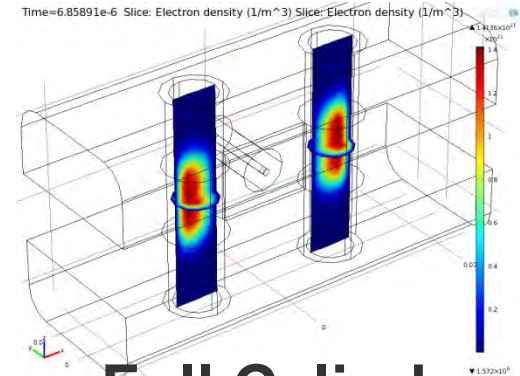
$\Gamma=10^{-2}\text{ m}^3/\text{s}$



Hollow Cylinder

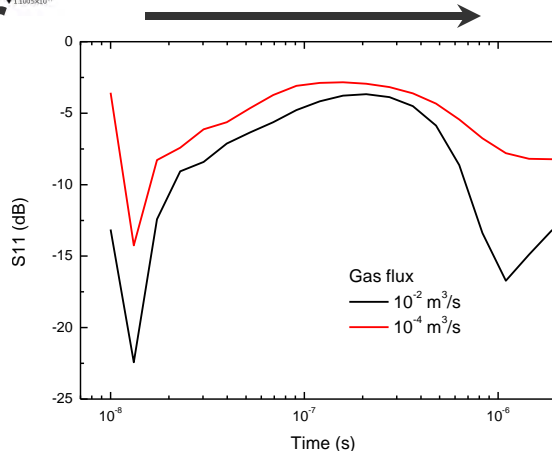
$t=7 \cdot 10^{-6}\text{ s}$, $n_e=1.4 \cdot 10^{21}\text{ m}^{-3}$

$\Gamma=10^{-4}\text{ m}^3/\text{s}$



Full Cylinder

For $\Gamma=10^{-2}\text{ m}^3/\text{s}$
No convergence after $t=2 \cdot 10^{-6}\text{ s}$



**Simulations
qualitatively
confirmed by
experiment**

Plasma Simulation (V)

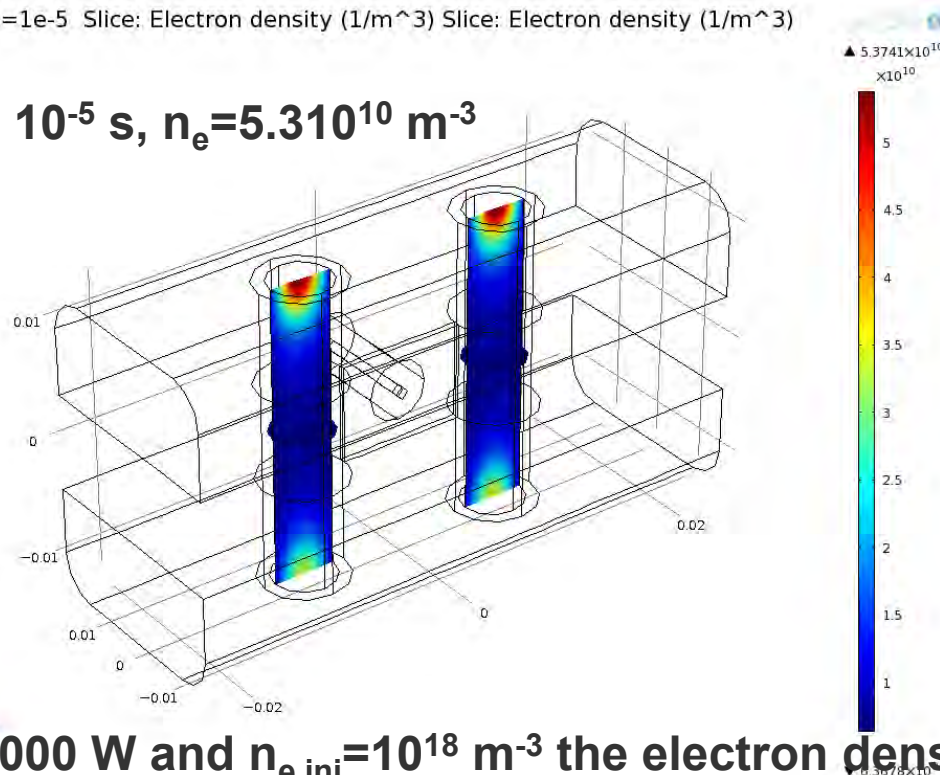
Low pressure behavior, with gas flow

$p=0.1$ mbar, $P=30 - 5000$ W, $n_{e\text{ ini}}=10^{14}$ m⁻³, gas flow= 10^{-4} m³/s

No physical results!

Time=1e-5 Slice: Electron density (1/m³) Slice: Electron density (1/m³)

$t=1 \cdot 10^{-5}$ s, $n_e=5.310^{10}$ m⁻³



Even for $P=5000$ W and $n_{e\text{ ini}}=10^{18}$ m⁻³ the electron density decreases.

The electron density is the smallest in the center of the resonator

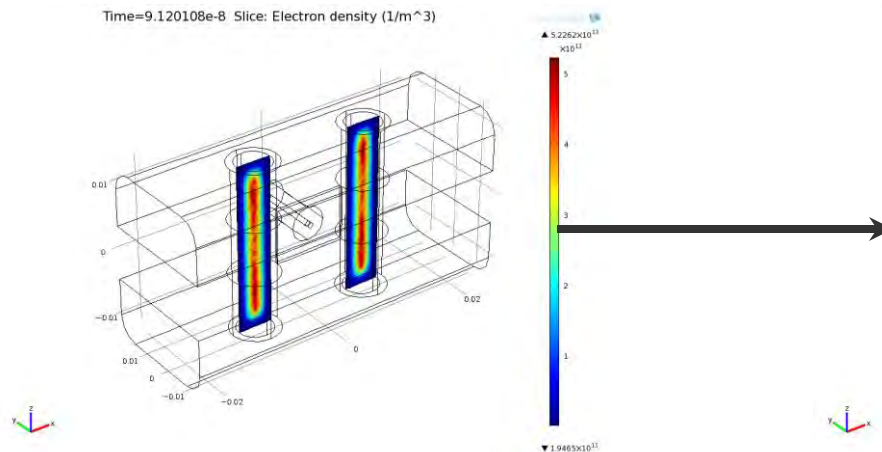
Plasma Simulation (VI)

Low pressure, no gas flow (no gas flow module, only plasma module)

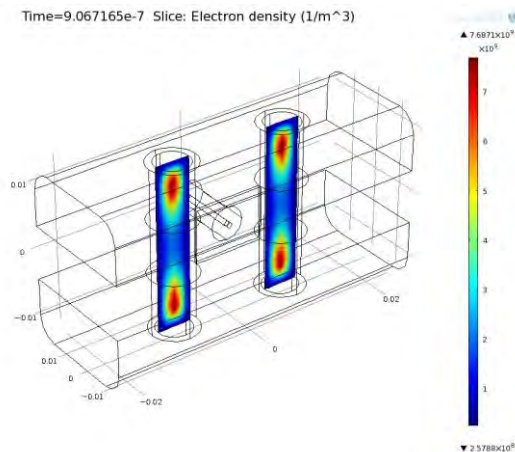
$p=0.1$ mbar, $P=50$ W, $n_{e\text{ ini}}=10^{14}$ m $^{-3}$,

No physical results!

$t=1 \cdot 10^{-7}$ s, $n_e=5 \cdot 10^{13}$ m $^{-3}$



$t=1 \cdot 10^{-6}$ s, $n_e=8 \cdot 10^9$ m $^{-3}$



Even a finer Mesh (here „extra fine“) does not help neither for better convergence nor for correct physics

Conclusions

- 1. One can calculate a time evolution of the ignition process for a pressure of 10 mbar**
- 2. According to simulations for Argon it should appear an ICP modus only over 100 W**
- 3. For a pressure of 0.1 mbar it seems to be no interaction between microwaves and plasma. The results are physically not realistic.**
- 4. A finer mesh does not improve neither the convergence nor the physics.**